

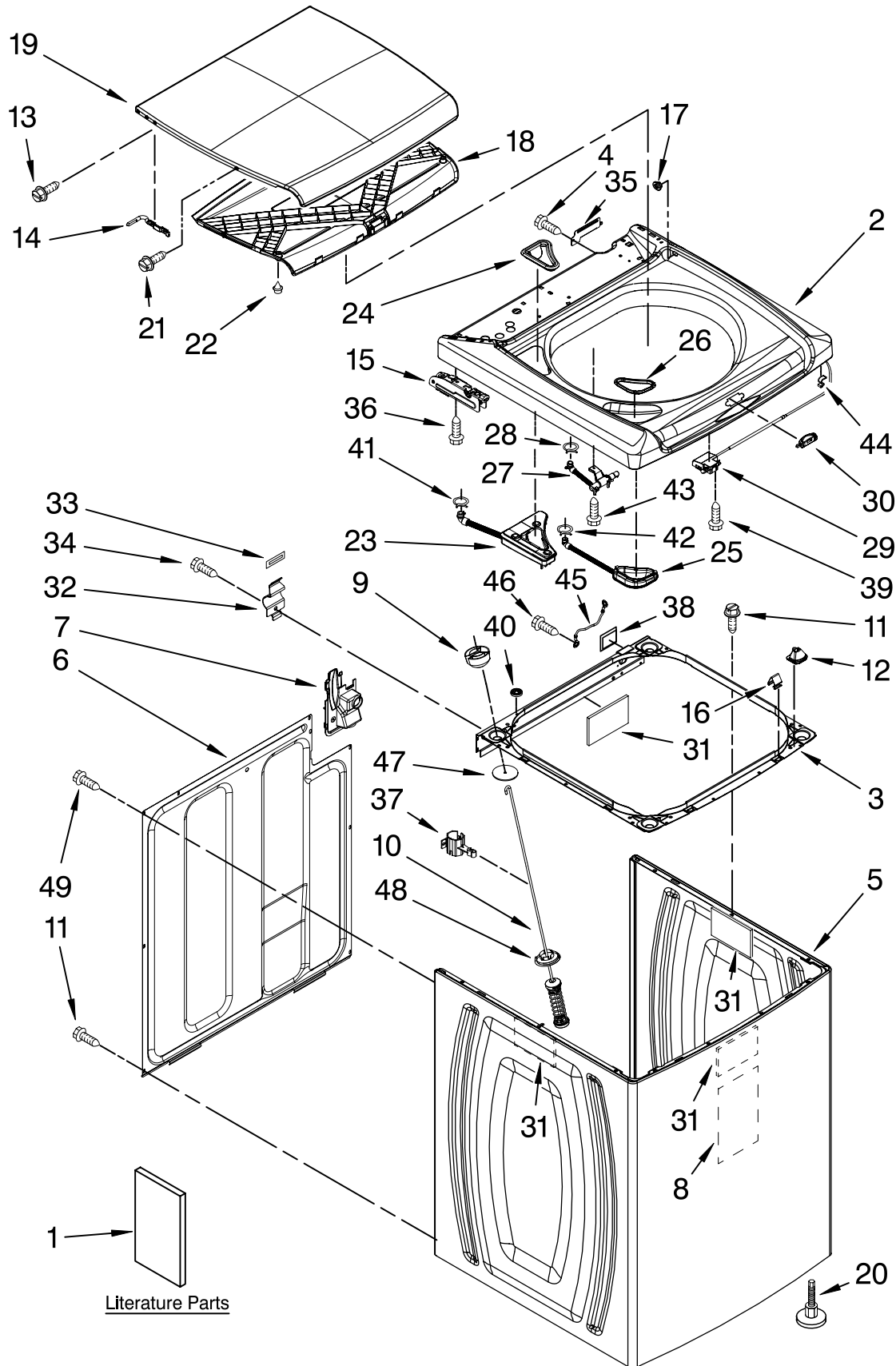


TOP AND CABINET PARTS

For Model: WTW6200SW1

(White)

AUTOMATIC WASHER



Literature Parts

FOR ORDERING INFORMATION REFER TO PARTS PRICE LIST

TOP AND CABINET PARTS

For Model: WTW6200SW1

(White)

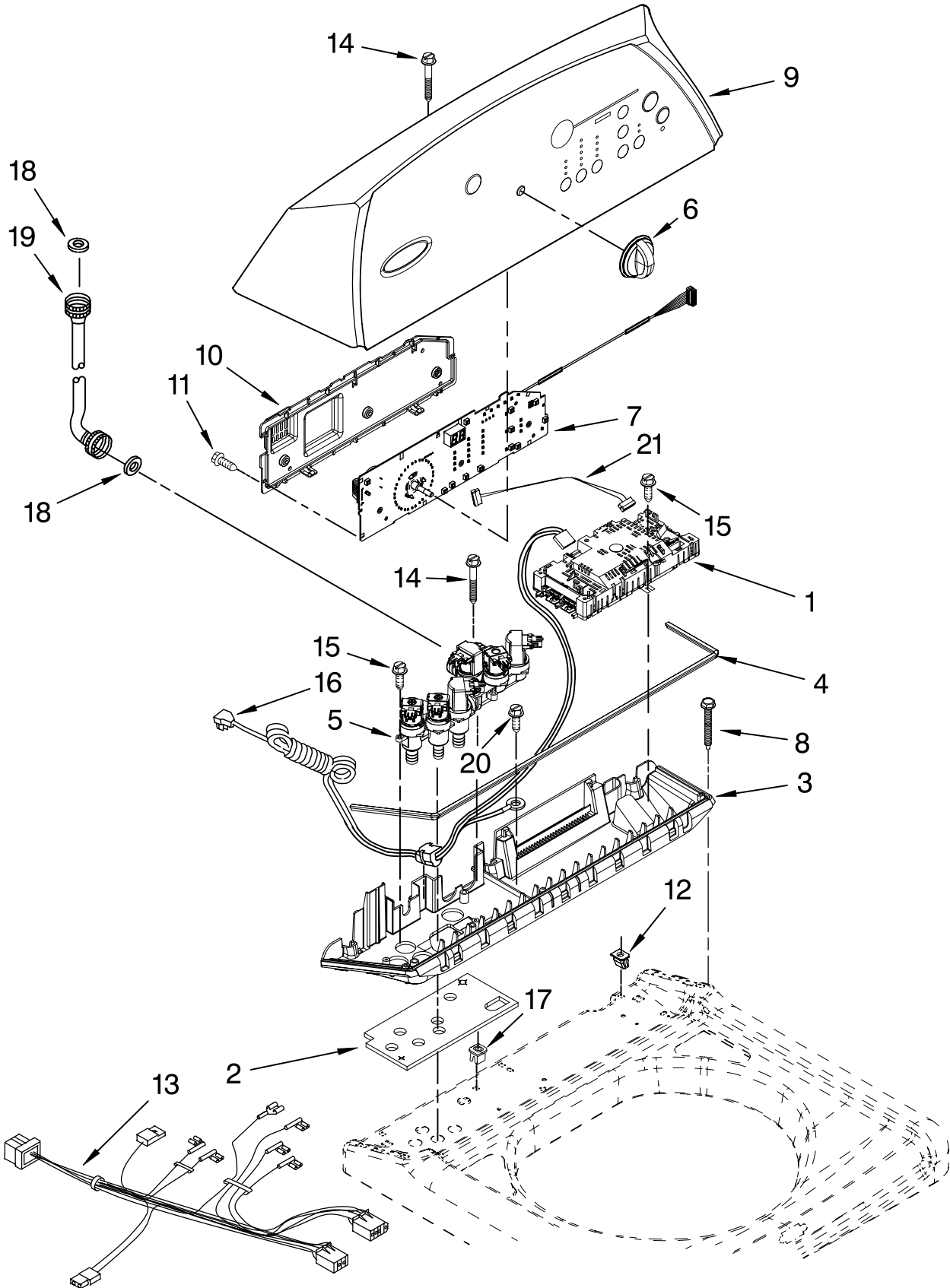
Illus. No.	Part No.	DESCRIPTION	Illus. No.	Part No.	DESCRIPTION	Illus. No.	Part No.	DESCRIPTION
1		Literature Parts	13	355274	Screw, Lid	29	W10059230	Lock Assembly, Lid
	8566930	Use & Care Guide			Hinge	30	8572019	Bezel, Lid Lock
	W10026571	Tech Sheet			Mounting (4)	31	8564458	Absorber, Impact
	8566927	Quick Start Guide	14	8576780	Hinge Arm, Lid (2)	32	8564456	Hinge, Top (2)
	8577781	Wiring Diagram	15		Hinge, Spring	33	18849	Pad, Top Hinge (2)
	8567167	Energy Guide			Assembly	34	343641	Screw,
					(Steel Lid)			10-16 x 1/2 (2)
				8563958	(Left)	35	8563941	Cover, Harness
				8563959	(Right)	36	693995	Screw, 8-18 x 3/8
2	8565317	Top	16	8563785	Lock, Top-	37	8543784	Bracket,
3	W10114656	Frame Assembly,			Front (2)			Drain Hose
		Cabinet Top	17	W10052730	Bearing, Lid	38	8578386	Shield, Wire
		(Includes			Hinge (2)			Harness
		Items 31 & 38)	18	8577353	Lid-Inner	39	8281136	Screw, 10-16 x 3/4
4	3390647	Screw, 8-18 X 1/2			(Includes Item 22)	40	8576476	Spacer, Rear
5	8566156	Cabinet	19	8572894	Lid			(Cabinet/Top)
6	8566090	Panel, Rear	20	8578826	Foot Assembly,	41	370451	Clamp, Hose
7	8543781	Retainer, Drain			Leveling (4)	42	371503	Clamp, Hose
		Hose Storage	21	W10076920	Screw (2)	43	3400061	Screw,
8	8576784	Sound Absorber,	22	W10076780	Bumper, Lid (2)			10-16 x 9/16
		Cabinet	23	W10059160	Dispenser, Bleach	44	90016	Clip, Harness (5)
9	W10111536	Ball,	24	8566211	Bezel, Bleach	45	8281736	Wire,
		Suspension (4)			Dispenser			Ground Jumper
10	8564009	Damper Assembly,	25	8564976	Dispenser,	46	3400076	Screw, 10-32 x 5/8
		Tub Suspension			Detergent	47	8577896	Washer, Suspension
		(Set Of 4-Includes	26	8576772	Bezel, Detergent			Umbrella (4)
		Items 47 & 48)			Dispenser	48	8564017	Cup,
11	1157158	Screw, 8-18 x 3/8	27	W10106990	Nozzle Assembly,			Suspension (4)
12	W10042120	Locator, Top (2)			Fresh Water	49	489290	Screw, 8-18 x 1/2
			28	371503	Clamp, Hose			

FOR ORDERING INFORMATION REFER TO PARTS PRICE LIST

CONTROL PANEL PARTS

For Model: WTW6200SW1

(White)



FOR ORDERING INFORMATION REFER TO PARTS PRICE LIST

CONTROL PANEL PARTS

For Model: WTW6200SW1

(White)

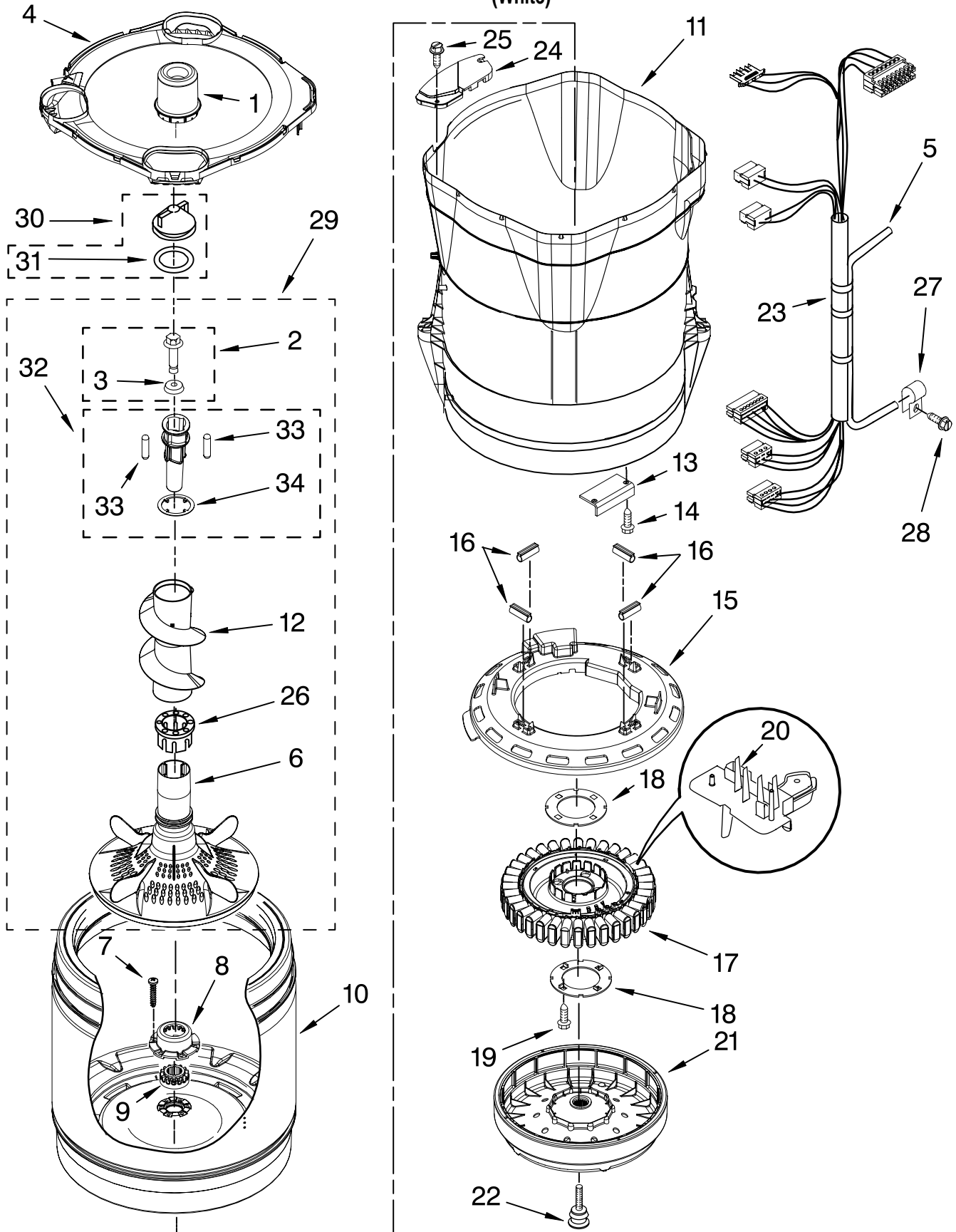
Illus. No.	Part No.	DESCRIPTION
1	W10112112	Control Unit Assembly, Machine & Motor
2	8565260	Gasket, Valve Tray
3	8565304	Tray Assembly, Console (Includes Items 2 & 4)
4	8565259	Gasket, Console/Tray
5	W10059310	Valve, Log Assembly
6	8574957	Knob, Control
7	8564288	User Interface
8	W10004990	Screw, 6-20 x 1.2
9	W10070010	Console
10	8564265	Cover, Rear-User Interface
11	W10003770	Screw, 6-19 x 1/2 (3)
12	W10022060	Nut, Push-In (3)
13	W10045090	Harness, Upper
14	8565324	Screw, 10-16 x 1.75
15	8281136	Screw, 8-18 x 3/4
16	3407203	Cord Assembly, Power
17	98460	Nut, Push-In (2)
18	3976300	Washer, Water Inlet Hose (1-1/16 x 5/8)(4)
19		Hose, Water Inlet
	8571377	Blue Coupler
	8571378	Red Coupler
20	488649	Screw, Power Cord Ground
21	3407187	Harness, Thermistor

FOR ORDERING INFORMATION REFER TO PARTS PRICE LIST

MOTOR, BASKET AND TUB PARTS

For Model: WTW6200SW1

(White)



FOR ORDERING INFORMATION REFER TO PARTS PRICE LIST

MOTOR, BASKET AND TUB PARTS

For Model: WTW6200SW1

(White)

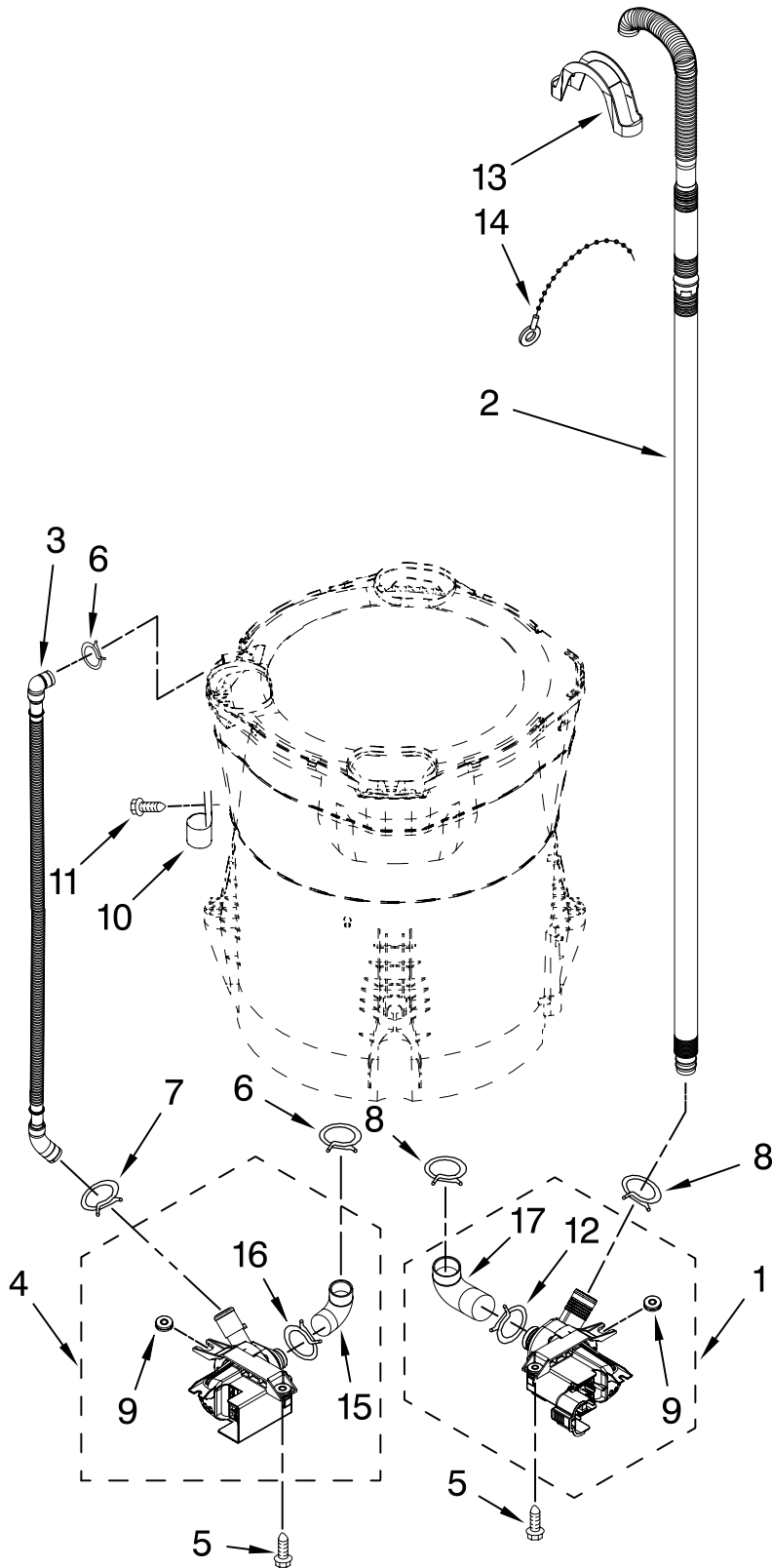
Illus. No.	Part No.	DESCRIPTION	Illus. No.	Part No.	DESCRIPTION	Illus. No.	Part No.	DESCRIPTION
1	8566491	Dispenser, Fabric Softener	13	8542674	Weight, Tub Counterbalance	23	W10058730	Harness, Lower (Includes Item 5)
2	W10076270	Screw & Washer Assembly	14	W10004910	Screw, 12-16 x 1-1/4 (2)	24	8566197	Filter, Dual Pump Hood
3	W10076260	Washer	15	8557839	Shield, Drive Motor (Includes Item 16)	25	8533928	Screw, 8-18 x 3/4 (2)
4	W10108420	Tub Ring	16	8565172	Tube, Buffer (Set Of 4)	26	8566279	Spacer-Thrust
5	8572540	Hose Pressure Switch	17	8565170	Stator, Motor (Includes Item 18)	27	W10005430	Clamp, Pressure Hose Retainer
6	W10076190	Agitator	18	8557836	Plate, Stator (Set Of 2)	28	8533957	Screw, 10-16 x 1/2
7	8533953	Screw, 8-16 x 1.000 (6)	19	W10076010	Screw, 1/4-20 x .968 (4)	29	W10076310	Agitator, Assembly (Complete)
8	8545948	Hub, Basket-Driven (Includes Item 9)	20	8565188	RPS Assembly	30	W10074580	Cap, Barrier
9	8545953	Hub, Basket-Driver (Includes Item 8)	21	8565177	Rotor, Main Drive Motor (Includes Item 22)	31	W10072840	Seal, Inner Cap
10	8545875	Basket Assembly (Includes Items 7, 8, & 9)	22		Bolt, Rotor Assembly Non-Serviceable (Supplied W/Rotor)	32	W10076210	Cam, Agitator
11	8572660	Tub & Drive Shaft Assembly				33	8558884	Roller, Agitator Cam (Set of 4)
12	8577284	Auger, Agitator				34	8578563	Spacer, Thrust-Cam

FOR ORDERING INFORMATION REFER TO PARTS PRICE LIST

PUMP PARTS

For Model: WTW6200SW1

(White)



Illus. No.	Part No.	DESCRIPTION
1	W10049390	Pump Assembly, Drain
2	8571715	Hose, Drain
3	8543774	Hose, Recirc
4	W10049400	Pump Assembly, Recirc
5	8534063	Screw, 10-14 x 1.000
6	370449	Clamp, Hose
7	8269146	Clamp, Hose
8	8317496	Clamp, Hose
9	8182771	Grommet, Pump Mounting (4)
10	8534021	Clamp, Recirc Hose Retainer
11	8533943	Screw, 10-16 x 3/4
12	8182768	Clamp, Drain Pump Hose Retainer
13	8576642	Retainer, Drain Hose
14	3347868	Cable Tie
15	8182769	Hose, Recirc Pump
16	8182770	Clamp, Recirc Pump Hose
17	8182767	Hose, Drain Pump

FOR ORDERING INFORMATION REFER TO PARTS PRICE LIST

OPTIONAL PARTS (NOT INCLUDED)

For Model: WTW6200SW1

(White)

Illus. No.	Part No.	DESCRIPTION
-------------------	-----------------	--------------------

PAINT, TOUCH-UP (1/2oz.)

72017 White

PAINT, PRESSURIZED SPRAY (12 oz.)

350938 Primer, Gray

350930 White

PAINT, BULK (1 qt.)

799344 White (Uncut)

WATER SYSTEM PARTS

285442 Connector Kit,
Plastic Drain
Hose

285321 Sleeve Kit,
(Contains 2
Sleeves)

285320 Siphon Break Kit

367031 Drain Protector

SEALER

285195 Sealer, Gasket
(.20 Fl. Oz.) (6 ml)

COUPLING

384496 Coupling, Hose